

算数科

多言語対応ワークブック

(英語版)



[HOME](#)

[動画](#)

[小学1年](#)

[小学2年](#)


[小学3年](#)

[小学4年](#)

[小学5年](#)

[小学6年](#)



 National Institution For Youth Education
独立行政法人 国立青少年教育振興機構
「子どもゆめ基金助成活動」

体験の風を
おこそう

京都教育大学

外国人の子どもを教育を考える会

はじめに

このワークブックは、多言語に対応した小学校算数科の問題集です。各学年の算数科の内容をわかりやすく解説したビデオコンテンツを観た後に、練習用としてご活用ください。

ビデオコンテンツは

「<http://tagengohonyaku.jp/>」

で観ることができます。

問題を解き終わったら、巻末の解答を活用して答え合わせをしてください。間違ったところは、再度、ビデオコンテンツを観て、復習しておいてください。

目次

第1章 第1学年

- 1.1 【定義】時間と時刻 1
- 1.2 時計はどれでしょう 2

第2章 第2学年

2.1 【加法】

- 2.1.1 1桁+1桁繰り上がりなし 3
- 2.1.2 1桁+1桁繰り上がり1回 4
- 2.1.3 2桁+1桁繰り上がりなし 5
- 2.1.4 2桁+1桁繰り上がり1回 6
- 2.1.5 2桁+1桁繰り上がり2回 7
- 2.1.6 3桁+2桁繰り上がりなし 8
- 2.1.7 3桁+2桁繰り上がり1回 9
- 2.1.8 3桁+2桁繰り上がり2回 10
- 2.1.9 3桁+3桁繰り上がりなし 11
- 2.1.10 3桁+3桁繰り上がり1回 12

2.2 【減法】

- 2.2.1 1桁-1桁繰り下がりなし 13
- 2.2.2 2桁-1桁繰り下がりなし 14
- 2.2.3 2桁-1桁繰り下がり1回 15
- 2.2.4 3桁-2桁繰り下がりなし 16
- 2.2.5 3桁-2桁繰り下がり1回① 17
- 2.2.6 3桁-2桁繰り下がり1回② 18
- 2.2.7 3桁-2桁繰り下がり2回 19

2.3 【乗法】

- 2.3.1 1桁×1桁繰り上がりなし 20
- 2.3.2 1桁×1桁繰り上がりあり 21

- 2.4 三角形と四角形を見分けよう 22

- 2.5 たすのかなひくのかな 23

第3章 第3学年

3.1 【加法】

- 3.1.1 小数1位+整数 24
- 3.1.2 整数+小数1位 25
- 3.1.3 小数1位+小数1位繰り上がり1回 26

3.2 【減法】

3.2.1	整数・小数 1 位.....	27
3.2.2	小数 1 位・整数.....	28
3.2.3	小数 1 位・小数 1 位.....	29
3.2.4	小数 2 位・小数 1 位.....	30
3.2.5	小数 1 位・小数 2 位.....	31
3.3	【乗法】	
3.3.1	2 桁×1 桁繰り上がりなし.....	32
3.3.2	2 桁×1 桁繰り上がりあり.....	33
3.3.3	2 桁×2 桁繰り上がりあり.....	34
3.4	【そろばん】【加法】	
3.4.1	1 桁+1 桁繰り上がりなし.....	35
3.4.2	1 桁+1 桁繰り上がりあり.....	36
3.4.3	2 桁+1 桁.....	37
3.4.4	2 桁+2 桁.....	38
3.5	【そろばん】【減法】	
3.5.1	1 桁-1 桁①.....	39
3.5.2	1 桁-1 桁②.....	40
3.5.3	2 桁-1 桁繰り下がりあり.....	41
3.5.4	2 桁-2 桁.....	42
3.6	【円】	
3.6.1	円の直径と半径.....	43

第4章 第4学年

4.1	【加法】	
4.1.1	小数 1 位+小数 2 位.....	44
4.1.2	小数 2 位+小数 2 位.....	45
4.2	【減法】	
4.2.1	小数 2 位-小数 2 位.....	46
4.3	【乗法】	
4.3.1	小数 1 位×整数.....	47
4.3.2	整数×小数 1 位.....	48
4.4	【除法】	
4.4.1	1 桁÷1 桁あまりなし.....	49
4.4.2	1 桁÷1 桁あまりあり.....	50
4.4.3	2 桁÷1 桁あまりなし.....	51
4.4.4	2 桁÷1 桁あまりあり.....	52
4.4.5	2 桁÷2 桁あまりなし.....	53

4.4.6	2桁÷2桁あまりあり	54
4.4.7	3桁÷1桁あまりなし	55
4.4.8	3桁÷1桁あまりあり	56
4.4.9	3桁÷2桁あまりなし	57
4.4.10	3桁÷2桁あまりあり	58
4.5	【立方体と直方体】	
4.5.1	展開図と展開方法①	59
4.5.2	展開図と展開方法②	60
4.6	【面積】	
4.6.1	練習問題	61
4.6.2	面積の求め方の工夫①②	62
4.7	【概数】	
4.7.1	四捨五入	63

第5章 第5学年

5.1	【乗法】	
5.1.1	小数1位×小数1位	64
5.1.2	小数1位×小数2位	65
5.1.3	小数2位×小数1位	66
5.1.4	小数2位×小数2位	67
5.2	【面積】	
5.2.1	三角形の面積の求め方	68
5.2.2	平行四辺形の面積の求め方	69
5.3	【約数】	
5.3.1	約数の求め方	70
5.4	【公倍数】	
5.4.1	公倍数の求め方	71
5.4.2	倍数と公倍数と最小公倍数	72
5.5	平均の求め方	73
5.6	【密度】	
5.6.1	混みぐあい整数と整数	74
5.6.2	混みぐあい整数と小数	75
5.6.3	混みぐあい小数と小数	76
5.7	【速さ】	
5.7.1	水道タンクその①	77
5.7.2	水道タンクその②	78
5.7.3	水道タンクその③	79

5.8	おうぎ形の弧の長さ	80
第6章 第6学年		
6.1	【角柱と円柱の体積】	
6.1.1	角柱の体積	81
6.1.2	円柱の体積	82
6.2	【比】	
6.2.1	比の計算	83
6.3	【分数】	
6.3.1	分数どうしのかけ算	84
6.4	【三角形】	
6.4.1	対称な図形	85
6.5	【四角形】	
6.5.1	対称な図形	86
6.6	線対称	87
解答		88

小学1年生【定義】時間と時刻

Name _____

Practice Think what word is suitable for ○○.

①The ○○ when Hiroshi arrived at the park was 4 P.M.

Answer ()

②The ○○ Yuko spends from the park to home is thirty minutes.

Answer ()

③The ○○ Hiroshi spends from his school to home is twenty minutes.

Answer ()

④The ○○ when Yuko arrived at school was 8 A.M.

Answer ()

小学1年生 時計はどれでしょう

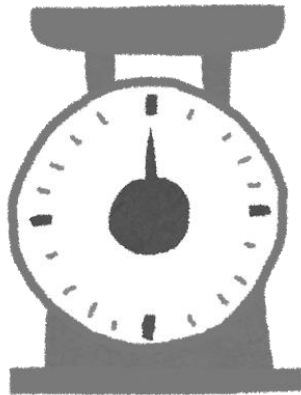
Name _____

Practice Which are clocks in this group? Mark the katakana with a circle.

①



ア



イ



ウ

②



ア



イ



ウ

Name _____

Practice Do the following calculations.

① $4 + 3 =$

⑤ $3 + 3 =$

② $2 + 7 =$

⑥ $2 + 0 =$

③ $5 + 3 =$

⑦ $2 + 1 =$

④ $1 + 4 =$

⑧ $6 + 2 =$

Name _____

Practice Do the following calculations.

① $6 + 8 =$

⑤ $3 + 7 =$

② $9 + 7 =$

⑥ $7 + 7 =$

③ $5 + 6 =$

⑦ $8 + 5 =$

④ $4 + 8 =$

⑧ $6 + 5 =$

Name _____

Practice Do the following calculations.

① $23 + 5 =$

⑤ $43 + 1 =$

② $32 + 7 =$

⑥ $23 + 3 =$

③ $82 + 4 =$

⑦ $61 + 6 =$

④ $11 + 8 =$

⑧ $50 + 2 =$

Name _____

Practice Do the following calculations.

① $54 + 9 =$

⑤ $35 + 5 =$

② $36 + 7 =$

⑥ $28 + 3 =$

③ $72 + 9 =$

⑦ $68 + 6 =$

④ $24 + 8 =$

⑧ $17 + 5 =$

Name _____

Practice Do the following calculations.

① $98 + 8 =$

⑤ $93 + 8 =$

② $99 + 9 =$

⑥ $95 + 7 =$

③ $97 + 8 =$

⑦ $94 + 6 =$

④ $96 + 8 =$

⑧ $92 + 9 =$

Name _____

Practice Do the following calculations.

① $425 + 34 =$

⑤ $754 + 41 =$

② $603 + 95 =$

⑥ $555 + 21 =$

③ $287 + 12 =$

⑦ $802 + 36 =$

④ $347 + 32 =$

⑧ $128 + 41 =$

Name _____

Practice Do the following calculations.

① $125 + 56 =$

⑤ $647 + 14 =$

② $517 + 35 =$

⑥ $523 + 68 =$

③ $872 + 19 =$

⑦ $129 + 42 =$

④ $462 + 28 =$

⑧ $939 + 53 =$

Name _____

Practice Do the following calculations.

① $267 + 39 =$

⑤ $547 + 64 =$

② $227 + 98 =$

⑥ $683 + 48 =$

③ $625 + 99 =$

⑦ $829 + 72 =$

④ $472 + 28 =$

⑧ $139 + 83 =$

Name _____

Practice Do the following calculations.

① $261 + 403 =$

⑤ $428 + 441 =$

② $525 + 110 =$

⑥ $152 + 213 =$

③ $328 + 211 =$

⑦ $802 + 136 =$

④ $143 + 121 =$

⑧ $126 + 642 =$

Name _____

Practice Do the following calculations.

① $423 + 158 =$

⑤ $248 + 442 =$

② $777 + 216 =$

⑥ $302 + 229 =$

③ $402 + 139 =$

⑦ $208 + 136 =$

④ $348 + 644 =$

⑧ $526 + 245 =$

Name _____

Practice Do the following calculations.

① $9 - 6 =$

⑤ $7 - 3 =$

② $4 - 1 =$

⑥ $2 - 1 =$

③ $8 - 3 =$

⑦ $6 - 4 =$

④ $5 - 3 =$

⑧ $7 - 1 =$

小学2年生【減法】2桁-1桁繰り下がりなし

Name _____

Practice Do the following calculations.

① $36 - 4 =$

⑤ $47 - 3 =$

② $66 - 2 =$

⑥ $32 - 1 =$

③ $97 - 5 =$

⑦ $26 - 4 =$

④ $55 - 3 =$

⑧ $81 - 1 =$

Name _____

Practice Do the following calculations.

① $73 - 8 =$

⑤ $57 - 9 =$

② $21 - 5 =$

⑥ $26 - 7 =$

③ $94 - 8 =$

⑦ $31 - 2 =$

④ $42 - 6 =$

⑧ $81 - 3 =$

小学2年生【減法】3桁-2桁繰り下がりなし

Name _____

Practice Do the following calculations.

① $674 - 52 =$

⑤ $777 - 71 =$

② $219 - 18 =$

⑥ $269 - 37 =$

③ $553 - 43 =$

⑦ $365 - 52 =$

④ $435 - 24 =$

⑧ $876 - 62 =$

小学2年生【減法】3桁-2桁繰り下がり1回①

Name _____

Practice Do the following calculations.

① $491 - 82 =$

⑤ $597 - 88 =$

② $926 - 19 =$

⑥ $262 - 47 =$

③ $344 - 27 =$

⑦ $761 - 52 =$

④ $476 - 27 =$

⑧ $891 - 12 =$

Name _____

Practice Do the following calculations.

① $829 - 66 =$

⑤ $225 - 83 =$

② $305 - 43 =$

⑥ $462 - 72 =$

③ $653 - 91 =$

⑦ $552 - 61 =$

④ $776 - 84 =$

⑧ $127 - 56 =$

Name _____

Practice Do the following calculations.

① $721 - 94 =$

⑤ $425 - 48 =$

② $555 - 79 =$

⑥ $362 - 73 =$

③ $230 - 99 =$

⑦ $788 - 99 =$

④ $654 - 75 =$

⑧ $143 - 58 =$

Name _____

Practice Do the following calculations.

① $3 \times 2 =$

⑤ $7 \times 1 =$

② $4 \times 2 =$

⑥ $3 \times 3 =$

③ $2 \times 2 =$

⑦ $5 \times 1 =$

④ $1 \times 3 =$

⑧ $2 \times 3 =$

Name _____

Practice Do the following calculations.

① $7 \times 6 =$

⑤ $4 \times 8 =$

② $9 \times 4 =$

⑥ $3 \times 7 =$

③ $8 \times 7 =$

⑦ $5 \times 8 =$

④ $6 \times 5 =$

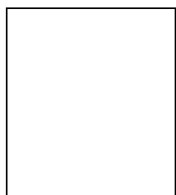
⑧ $7 \times 7 =$

小学2年生 三角形と四角形を見分けよう

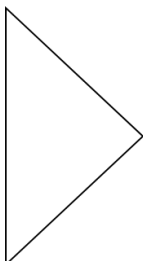
Name _____

Practice Distinguish triangles from quadrangles in the figure below.

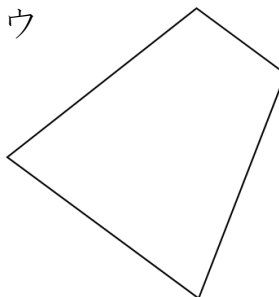
ア



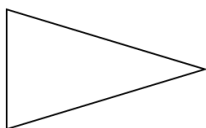
イ



ウ



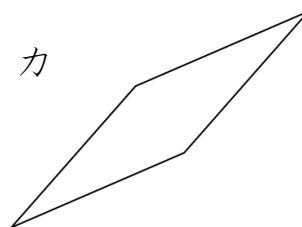
エ



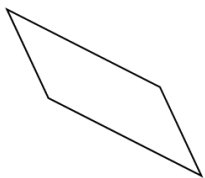
オ



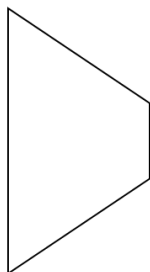
カ



キ



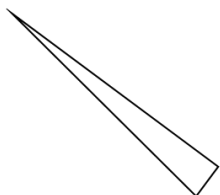
ク



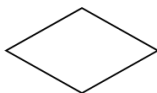
ケ



コ



サ



シ



Answer

① (Triangles)

② (Quadrangles)

Name _____

Practice Think after representing it with a figure.

①

Hiroshi had ten candies. Now he has three because he ate some of them. How many candies did he eat?

(Figure)

(Identity)

Answer()

②

There were 8 oranges on the table. Now there are 12 oranges on the table because our friend gave us some oranges. How many oranges did we received?

(Figure)

(Identity)

Answer()

小学3年生【加法】小数1位+整数

Name _____

Practice Do the following calculations.

① $3.6 + 2 =$

⑤ $1.3 + 8 =$

② $4.3 + 2 =$

⑥ $7.6 + 1 =$

③ $3.7 + 5 =$

⑦ $2.9 + 4 =$

④ $6.4 + 3 =$

⑧ $5.5 + 2 =$

Name _____

Practice Do the following calculations.

① $6 + 3.5 =$

⑤ $5 + 2.1 =$

② $3 + 2.6 =$

⑥ $4 + 3.2 =$

③ $7 + 1.8 =$

⑦ $1 + 3.7 =$

④ $6 + 3.1 =$

⑧ $4 + 4.4 =$

Name _____

Practice Do the following calculations.

① $2.8 + 3.5 =$

⑤ $1.7 + 2.4 =$

② $3.9 + 2.6 =$

⑥ $4.8 + 4.4 =$

③ $7.2 + 1.8 =$

⑦ $1.3 + 3.9 =$

④ $5.5 + 3.9 =$

⑧ $3.7 + 5.4 =$

Name _____

Practice Do the following calculations.

① $19 - 4.8 =$

⑤ $53 - 2.7 =$

② $44 - 2.6 =$

⑥ $65 - 3.2 =$

③ $17 - 5.8 =$

⑦ $84 - 1.5 =$

④ $39 - 8.1 =$

⑧ $78 - 4.4 =$

小学3年生【減法】小数1位－整数

Name _____

Practice Do the following calculations.

① $32.4 - 9 =$

⑤ $53.6 - 4 =$

② $73.6 - 4 =$

⑥ $48.6 - 9 =$

③ $24.3 - 6 =$

⑦ $74.5 - 8 =$

④ $42.4 - 8 =$

⑧ $33.3 - 4 =$

小学3年生【減法】小数1位－小数1位

Name _____

Practice Do the following calculations.

① $22.1 - 9.2 =$

⑤ $63.6 - 5.7 =$

② $33.6 - 7.7 =$

⑥ $41.5 - 3.9 =$

③ $52.6 - 3.8 =$

⑦ $76.1 - 8.5 =$

④ $80.6 - 6.2 =$

⑧ $92.6 - 4.7 =$

小学3年生【減法】小数2位－小数1位

Name _____

Practice Do the following calculations.

① $27.44 - 6.3 =$

⑤ $66.65 - 5.4 =$

② $36.64 - 3.2 =$

⑥ $41.25 - 1.1 =$

③ $56.77 - 3.4 =$

⑦ $97.94 - 6.5 =$

④ $79.26 - 6.1 =$

⑧ $65.62 - 4.3 =$

小学3年生【減法】小数1位－小数2位

Name _____

Practice Do the following calculations.

① $22.2 - 9.15 =$

⑤ $36.4 - 7.12 =$

② $52.7 - 3.58 =$

⑥ $78.2 - 9.08 =$

③ $87.2 - 8.12 =$

⑦ $23.9 - 4.62 =$

④ $42.5 - 6.07 =$

⑧ $64.6 - 5.04 =$

Name _____

Practice Do the following calculations.

① $31 \times 2 =$

⑤ $52 \times 1 =$

② $22 \times 4 =$

⑥ $23 \times 3 =$

③ $13 \times 3 =$

⑦ $11 \times 4 =$

④ $42 \times 2 =$

⑧ $31 \times 2 =$

Name _____

Practice Do the following calculations.

① $63 \times 4 =$

⑤ $72 \times 7 =$

② $87 \times 5 =$

⑥ $52 \times 6 =$

③ $39 \times 6 =$

⑦ $82 \times 9 =$

④ $42 \times 8 =$

⑧ $65 \times 3 =$

Name _____

Practice Do the following calculations.

① $72 \times 12 =$

⑤ $69 \times 18 =$

② $48 \times 36 =$

⑥ $39 \times 72 =$

③ $98 \times 66 =$

⑦ $57 \times 25 =$

④ $37 \times 21 =$

⑧ $63 \times 64 =$

Name _____

Practice Do the following calculations with an abacus.

① $2 + 2 =$

⑤ $1 + 4 =$

② $1 + 2 =$

⑥ $1 + 5 =$

③ $3 + 5 =$

⑦ $2 + 3 =$

④ $2 + 5 =$

⑧ $4 + 5 =$

Name _____

Practice Do the following calculations with an abacus.

① $8 + 6 =$

⑤ $7 + 6 =$

② $7 + 5 =$

⑥ $6 + 8 =$

③ $5 + 6 =$

⑦ $9 + 2 =$

④ $4 + 8 =$

⑧ $9 + 8 =$

Name _____

Practice Do the following calculations with an abacus.

① $42 + 7 =$

⑤ $24 + 4 =$

② $22 + 6 =$

⑥ $30 + 2 =$

③ $40 + 3 =$

⑦ $28 + 9 =$

④ $34 + 6 =$

⑧ $26 + 5 =$

Name _____

Practice Do the following calculations with an abacus.

① $39 + 16 =$

⑤ $57 + 34 =$

② $42 + 15 =$

⑥ $25 + 18 =$

③ $18 + 32 =$

⑦ $26 + 34 =$

④ $54 + 36 =$

⑧ $57 + 23 =$

Name _____

Practice Do the following calculations with an abacus.

① $9-5=$

⑤ $6-1=$

② $7-2=$

⑥ $9-3=$

③ $8-5=$

⑦ $7-5=$

④ $6-3=$

⑧ $9-8=$

Name _____

Practice Do the following calculations with an abacus.

① $8-4=$

⑤ $6-2=$

② $7-3=$

⑥ $6-3=$

③ $9-6=$

⑦ $6-4=$

④ $7-4=$

⑧ $8-2=$

Name _____

Practice Do the following calculations with an abacus.

① $33 - 4 =$

⑤ $45 - 8 =$

② $54 - 7 =$

⑥ $30 - 1 =$

③ $93 - 5 =$

⑦ $25 - 9 =$

④ $51 - 3 =$

⑧ $80 - 4 =$

Name _____

Practice Do the following calculations with an abacus.

① $40 - 24 =$

⑤ $56 - 44 =$

② $52 - 11 =$

⑥ $21 - 15 =$

③ $32 - 21 =$

⑦ $46 - 13 =$

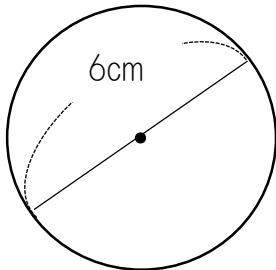
④ $14 - 12 =$

⑧ $64 - 12 =$

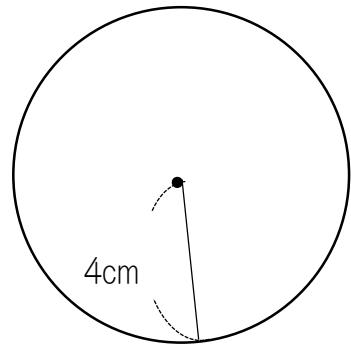
Name _____

Practice Calculate the diameter and radius of the following circles.

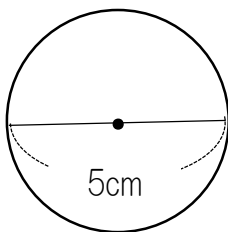
①



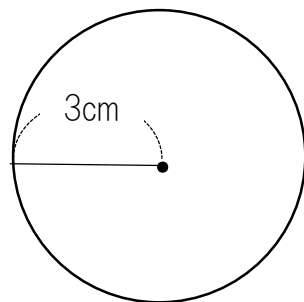
②



③



④



① Diameter	Radius	② Diameter	Radius
③ Diameter	Radius	④ Diameter	Radius

小学4年生【加法】小数2位+小数1位

Name _____

Practice Do the following calculations.

① $1.85 + 5.4 =$

⑤ $7.65 + 1.4 =$

② $5.96 + 0.3 =$

⑥ $8.95 + 0.4 =$

③ $3.74 + 1.6 =$

⑦ $4.14 + 3.5 =$

④ $2.54 + 1.7 =$

⑧ $0.57 + 8.4 =$

Name _____

Practice Do the following calculations.

① $1.85 + 5.06 =$

⑤ $5.35 + 3.48 =$

② $5.16 + 0.35 =$

⑥ $2.58 + 1.03 =$

③ $4.68 + 2.25 =$

⑦ $6.66 + 3.25 =$

④ $2.18 + 1.29 =$

⑧ $4.68 + 4.14 =$

小学4年生【減法】小数2位－小数2位

Name _____

Practice Do the following calculations.

① $22.23 - 9.12 =$

⑤ $42.54 - 38.57 =$

② $52.73 - 3.52 =$

⑥ $62.57 - 3.74 =$

③ $23.04 - 10.13 =$

⑦ $78.21 - 9.81 =$

④ $32.15 - 14.28 =$

⑧ $12.47 - 2.21 =$

小学4年生【乘法】小数1位×整数

Name _____

Practice Do the following calculations.

① $7.2 \times 19 =$

⑤ $6.4 \times 24 =$

② $3.6 \times 27 =$

⑥ $5.6 \times 41 =$

③ $8.3 \times 42 =$

⑦ $7.2 \times 23 =$

④ $4.2 \times 13 =$

⑧ $5.6 \times 34 =$

Name _____

Practice Do the following calculations.

① $23 \times 4.8 =$

⑤ $48 \times 8.8 =$

② $56 \times 6.7 =$

⑥ $67 \times 6.7 =$

③ $71 \times 9.3 =$

⑦ $81 \times 9.5 =$

④ $63 \times 8.7 =$

⑧ $56 \times 3.8 =$

Name _____

Practice Do the following calculations.

① $8 \div 2 =$

⑤ $4 \div 2 =$

② $9 \div 3 =$

⑥ $7 \div 7 =$

③ $5 \div 5 =$

⑦ $8 \div 4 =$

④ $6 \div 2 =$

⑧ $3 \div 1 =$

Name _____

Practice Do the following calculations.

① $5 \div 3 =$

⑤ $6 \div 4 =$

② $9 \div 4 =$

⑥ $7 \div 5 =$

③ $8 \div 5 =$

⑦ $9 \div 6 =$

④ $4 \div 3 =$

⑧ $8 \div 3 =$

Name _____

Practice Do the following calculations.

① $96 \div 3 =$

⑤ $68 \div 4 =$

② $75 \div 3 =$

⑥ $50 \div 5 =$

③ $55 \div 5 =$

⑦ $44 \div 2 =$

④ $72 \div 9 =$

⑧ $84 \div 7 =$

Name _____

Practice Do the following calculations.

① $86 \div 6 =$

⑤ $66 \div 4 =$

② $76 \div 7 =$

⑥ $35 \div 2 =$

③ $57 \div 4 =$

⑦ $77 \div 6 =$

④ $70 \div 3 =$

⑧ $95 \div 6 =$

Name _____

Practice Do the following calculations.

① $84 \div 21 =$

⑤ $64 \div 16 =$

② $39 \div 13 =$

⑥ $50 \div 10 =$

③ $48 \div 12 =$

⑦ $78 \div 13 =$

④ $77 \div 11 =$

⑧ $60 \div 12 =$

Name _____

Practice Do the following calculations.

① $85 \div 21 =$

⑤ $53 \div 17 =$

② $68 \div 23 =$

⑥ $66 \div 14 =$

③ $47 \div 13 =$

⑦ $82 \div 59 =$

④ $28 \div 12 =$

⑧ $98 \div 17 =$

Name _____

Practice Do the following calculations.

① $765 \div 5 =$

⑤ $684 \div 6 =$

② $642 \div 3 =$

⑥ $522 \div 9 =$

③ $812 \div 4 =$

⑦ $214 \div 2 =$

④ $456 \div 3 =$

⑧ $651 \div 7 =$

Name _____

Practice Do the following calculations.

① $635 \div 2 =$

⑤ $568 \div 7 =$

② $846 \div 4 =$

⑥ $921 \div 6 =$

③ $688 \div 5 =$

⑦ $146 \div 8 =$

④ $427 \div 8 =$

⑧ $754 \div 3 =$

Name _____

Practice Do the following calculations.

① $575 \div 23 =$

⑤ $459 \div 17 =$

② $765 \div 15 =$

⑥ $384 \div 12 =$

③ $810 \div 18 =$

⑦ $625 \div 25 =$

④ $154 \div 14 =$

⑧ $555 \div 37 =$

Name _____

Practice Do the following calculations.

① $575 \div 13 =$

⑤ $354 \div 14 =$

② $472 \div 15 =$

⑥ $526 \div 28 =$

③ $877 \div 31 =$

⑦ $754 \div 31 =$

④ $652 \div 23 =$

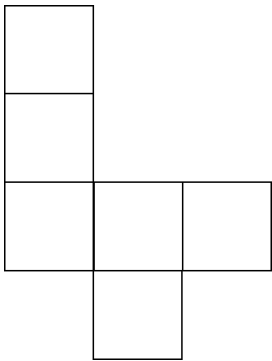
⑧ $124 \div 24 =$

小学4年生【直方体と立方体】展開図と展開方法①

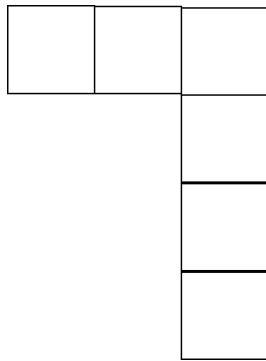
Name _____

Practice Chose the development views which can be a cube from the development views below. Write the correct letters.

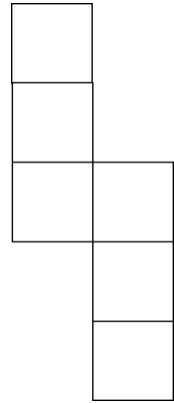
ア



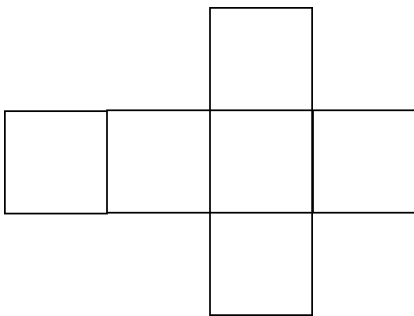
イ



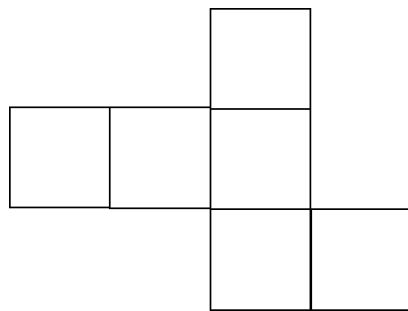
ウ



エ



オ



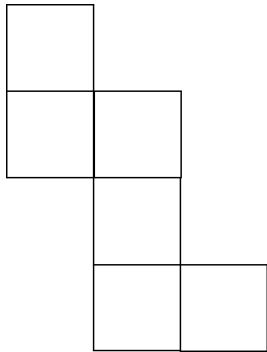
(Answer)

小学4年生【直方体と立方体】展開図と展開方法②

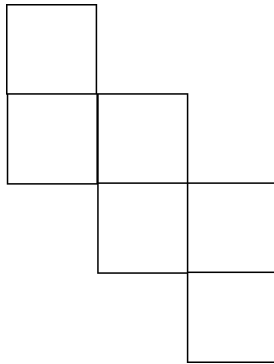
Name _____

Practice Chose the development views which can be a cube from the development views below. Write the correct letters.

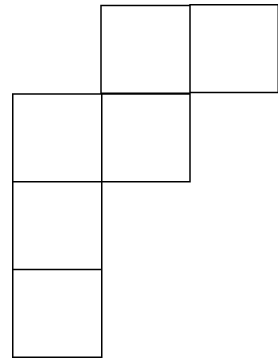
ア



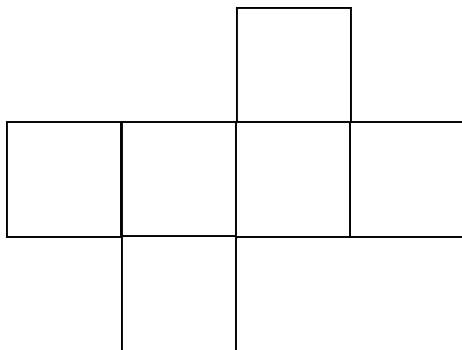
イ



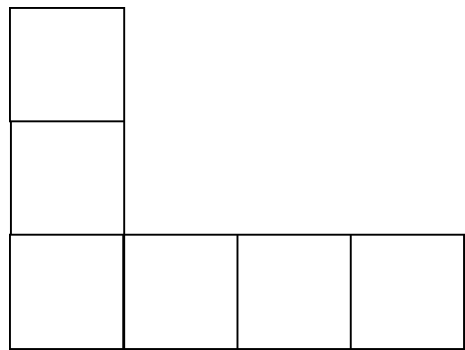
ウ



エ



オ

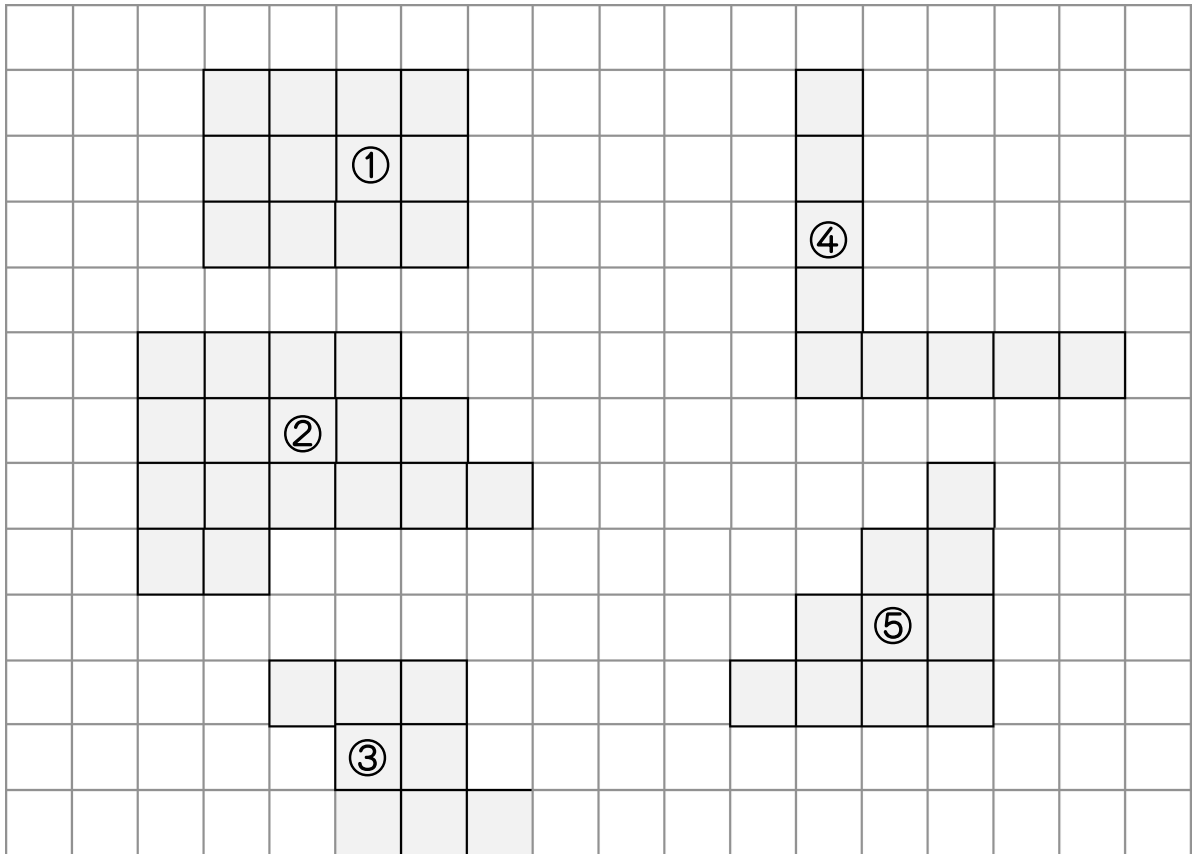


(Answer)

小学4年生【面積】練習問題

Name _____

Practice How many square centimeters are there in each figure?



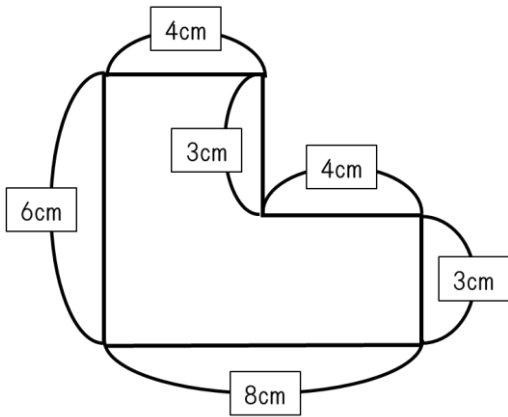
(Answer)	①	②
③	④	⑤

小学4年生【面積】面積の求め方の工夫①②

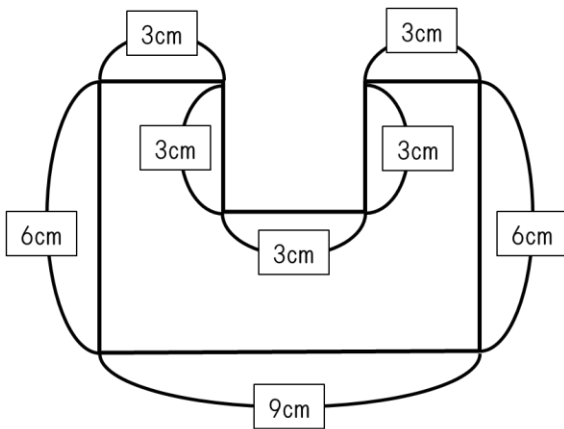
Name _____

Practice How many square centimeters are there in each figure?

①



②



(Answer)

①	②
---	---

Name _____

Practice Round to the nearest unit ten.

① 72

⑤ 232

Answer. _____

Answer. _____

② 52

⑥ 755

Answer. _____

Answer. _____

③ 81

⑦ 456

Answer. _____

Answer. _____

④ 67

⑧ 249

Answer. _____

Answer. _____

小学5年生【乘法】小数1位×小数1位

Name _____

Practice Do the following calculations.

① $3.7 \times 2.5 =$

⑤ $7.6 \times 1.4 =$

② $1.8 \times 5.3 =$

⑥ $8.5 \times 0.4 =$

③ $9.6 \times 4.2 =$

⑦ $4.1 \times 6.5 =$

④ $2.5 \times 1.7 =$

⑧ $5.7 \times 2.4 =$

小学5年生【乘法】小数1位×小数2位

Name _____

Practice Do the following calculations.

① $3.8 \times 2.14 =$

⑤ $7.6 \times 5.45 =$

② $2.9 \times 3.75 =$

⑥ $2.5 \times 3.27 =$

③ $6.5 \times 1.03 =$

⑦ $4.1 \times 2.19 =$

④ $2.9 \times 1.72 =$

⑧ $5.1 \times 0.84 =$

小学5年生【乘法】小数2位×小数1位

Name _____

Practice Do the following calculations.

① $2.14 \times 3.8 =$

⑤ $4.36 \times 1.4 =$

② $2.65 \times 3.7 =$

⑥ $8.95 \times 0.4 =$

③ $7.37 \times 1.3 =$

⑦ $1.44 \times 4.6 =$

④ $3.58 \times 2.7 =$

⑧ $9.57 \times 0.4 =$

小学5年生【乘法】小数2位×小数2位

Name _____

Practice Do the following calculations.

① $3.14 \times 2.71 =$

⑤ $1.65 \times 4.29 =$

② $1.41 \times 1.73 =$

⑥ $3.95 \times 0.42 =$

③ $0.47 \times 0.84 =$

⑦ $4.04 \times 2.17 =$

④ $1.54 \times 1.74 =$

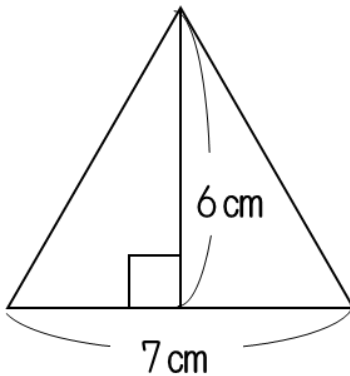
⑧ $2.57 \times 2.84 =$

小学5年生【面積】 三角形の面積の求め方

Name _____

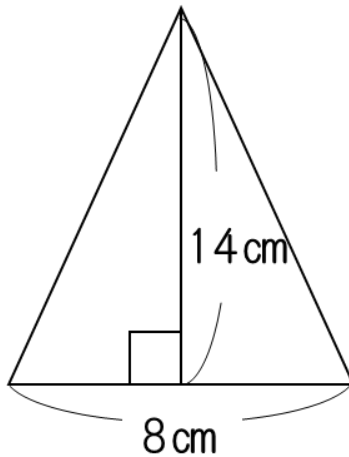
Practice Calculate the area of the following triangles.

①



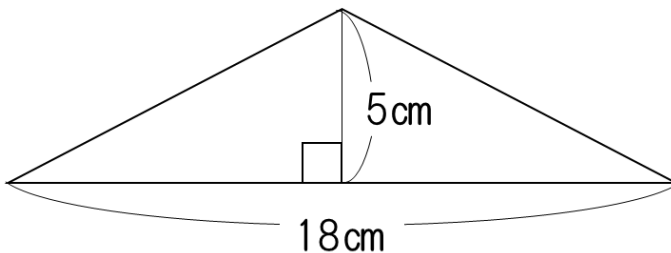
Answer. _____

②



Answer. _____

③



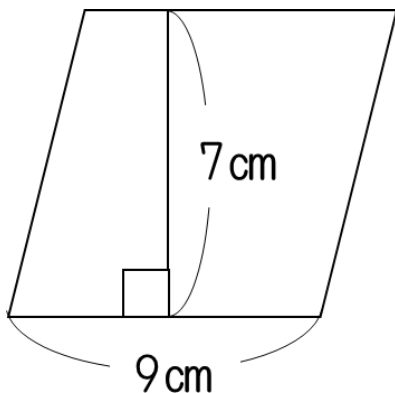
Answer. _____

小学5年生【面積】 平行四辺形の面積の求め方

Name _____

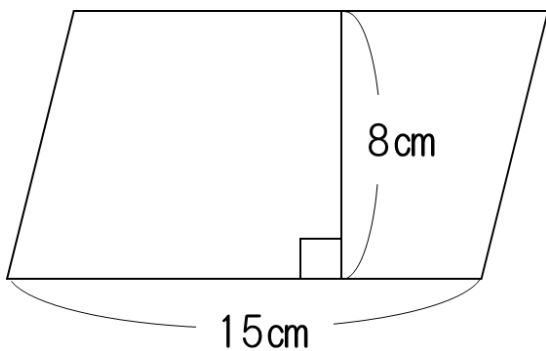
Practice Calculate the area of the following parallelograms.

①



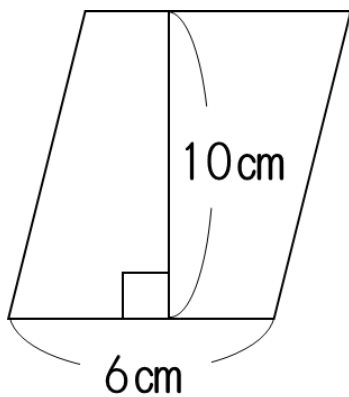
Answer. _____

②



Answer. _____

③



Answer. _____

小学5年生【約数】 約数の求め方

Name _____

Practice Find all divisors of the following number.

① 12

Answer. _____

② 56

Answer. _____

③ 15

Answer. _____

④ 42

Answer. _____

Name _____

Practice Find the three common multiples of the two numbers in ascending order.

① 2 and 3

② 4 and 5

Answer. _____

③ 7 and 4

Answer. _____

④ 5 and 10

Answer. _____

Answer. _____

Name _____

Practice Find the three common multiples of the two numbers in ascending order. And find the smallest common multiple.

① 6 and 12

Answer. (common multiples) _____

(the smallest common multiples) _____

② 7 and 14

Answer. (common multiples) _____

(the smallest common multiples) _____

③ 5 and 15

Answer. (common multiples) _____

(the smallest common multiples) _____

④ 6 and 9

Answer. (common multiples) _____

(the smallest common multiples) _____

Name _____

Practice Calculate the average of the following numbers.

① 2 and 6

Answer. _____

② 8 and 4

Answer. _____

③ 6 and 10

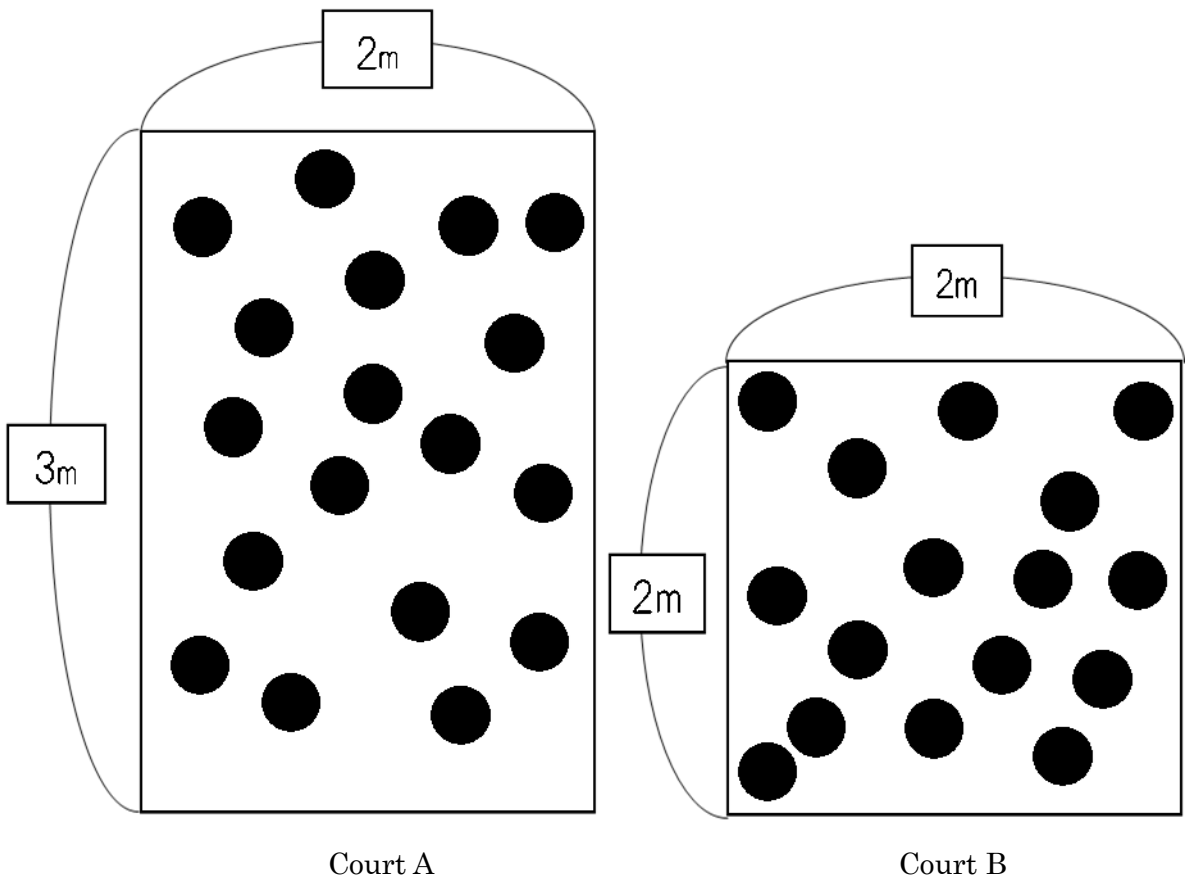
Answer. _____

④ 8 and 5

Answer. _____

Name _____

Practice Think which is more crowded. And fill in with correct numbers or words.

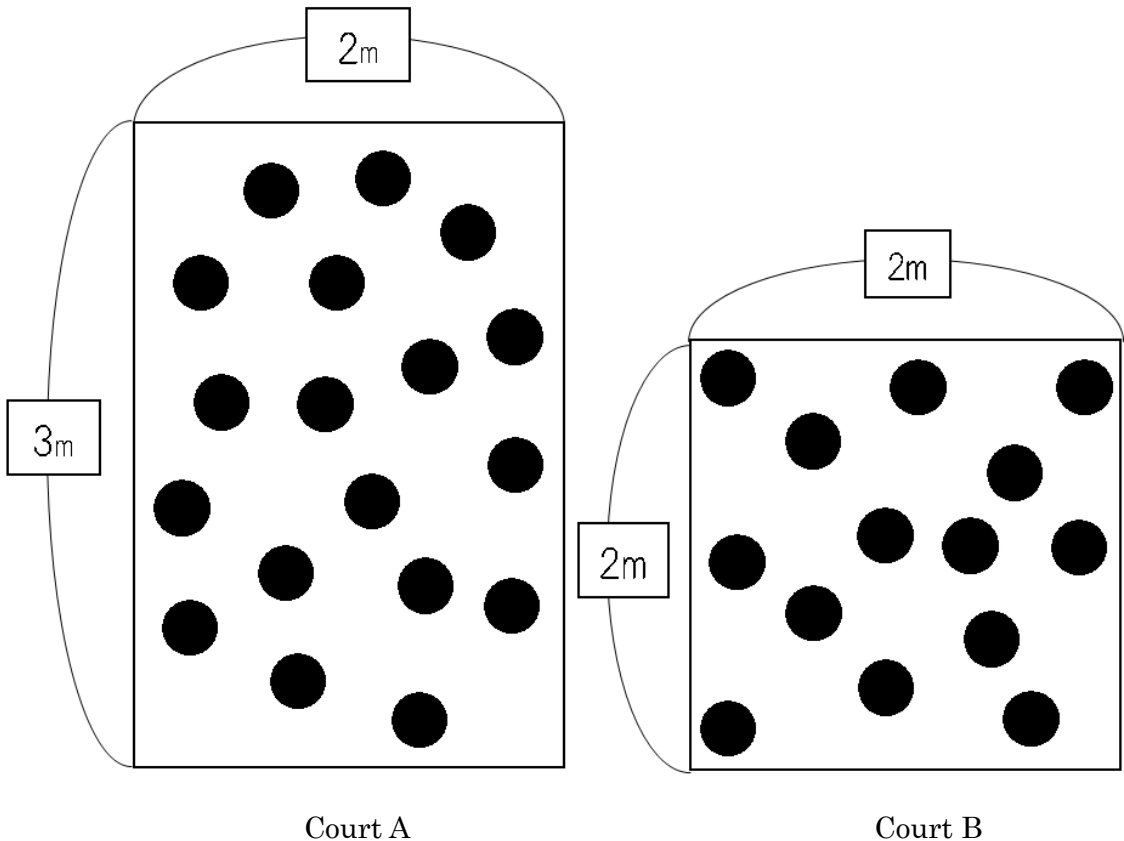


Think which is more crowded. And fill in with correct numbers or words.

There are ① in the court A and ② in the court B. The court A has ③ per 1 square meters, and the court B has ④ per 1 square meters. Thus, ⑤ is more crowded.

Name _____

Practice Think which is more crowded. And fill in with correct numbers or words.

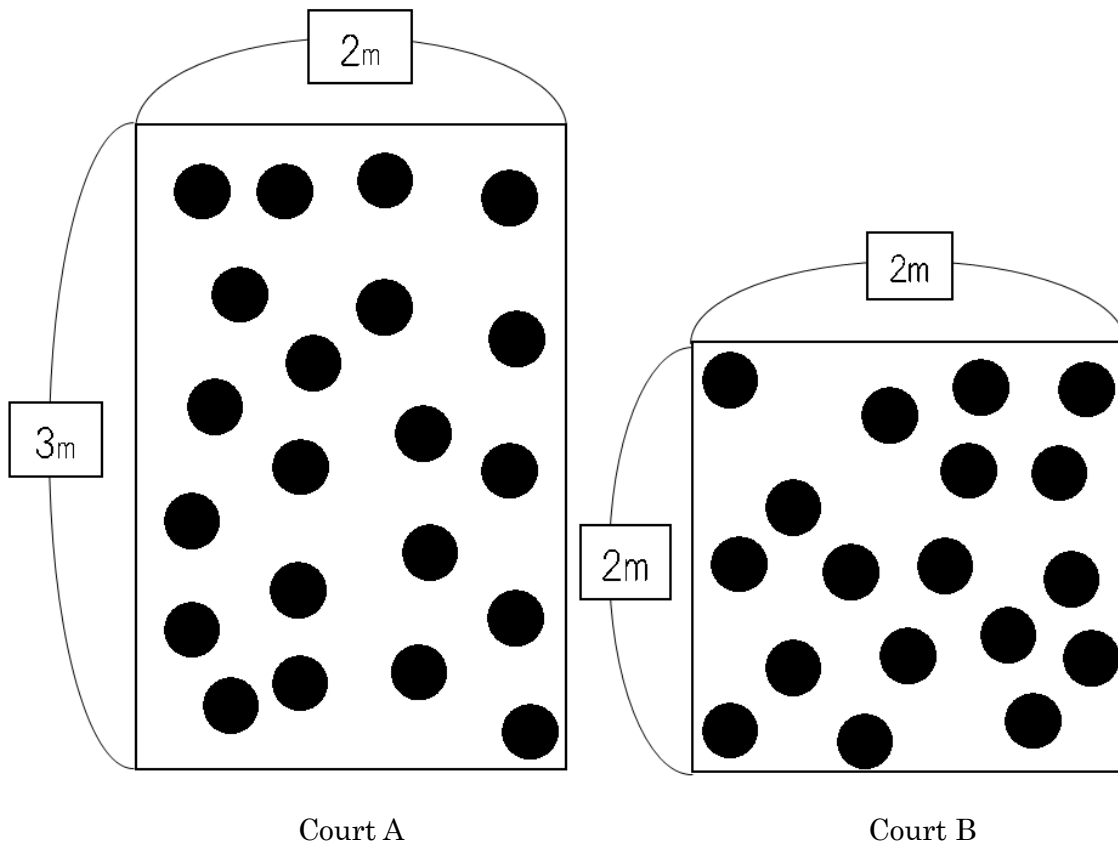


Think which is more crowded. And fill in with correct numbers or words.

There are ① in the court A and ② in the court B. The court A has ③ per 1 square meters, and the court B has ④ per 1 square meters. Thus, ⑤ is more crowded.

Name _____

Practice Think which is more crowded. And fill in with correct numbers or word.

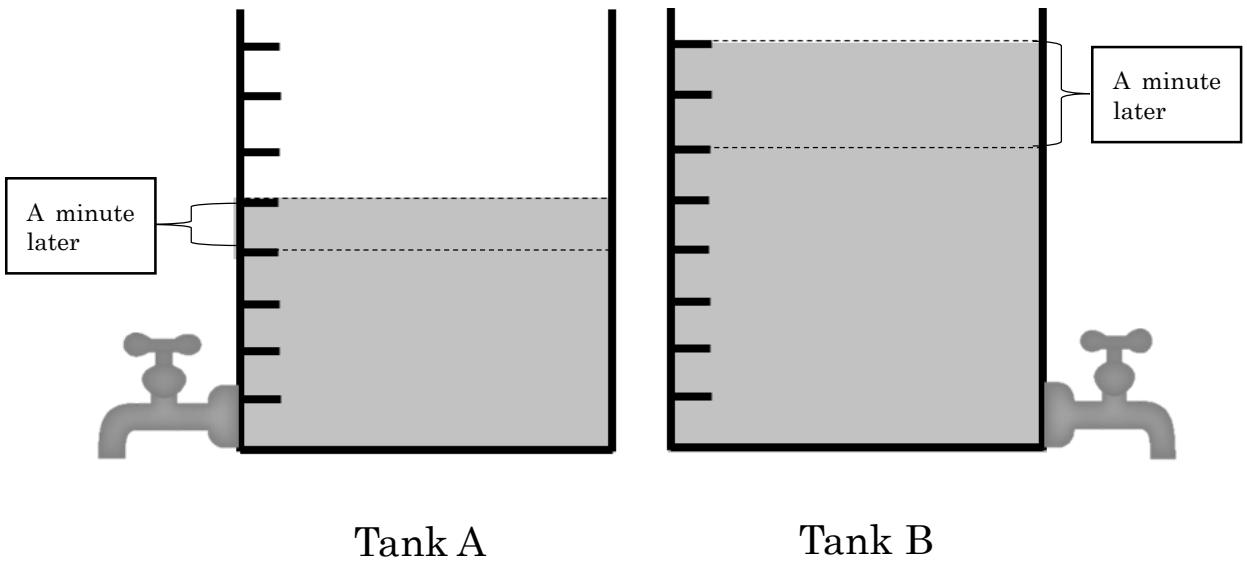


Think which is more crowded. And fill in with correct numbers or words.

There are ① in the court A and ② in the court B. The court A has ③ per 1 square meters, and the court B has ④ per 1 square meters. Thus, ⑤ is more crowded.

Name _____

Practice Think which will be empty sooner. And fill in with correct numbers or words.

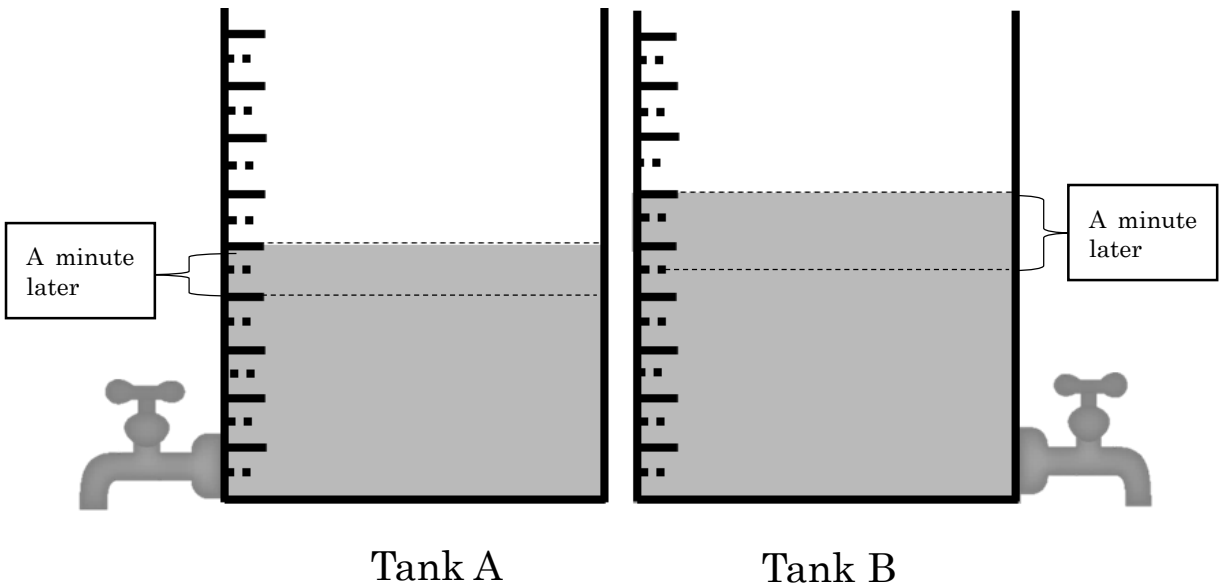


Think which is more crowded. And fill in with correct numbers or words.

The tank A has ① units of scale of water and the tank B has ② units of scale of water. ③ units of scale of water decrease from the tank A, and ④ units of scale of water decrease from the tank B. Thus, ⑤ will be empty sooner.

Name _____

Practice Think which will be empty sooner. And fill in with correct numbers or words.

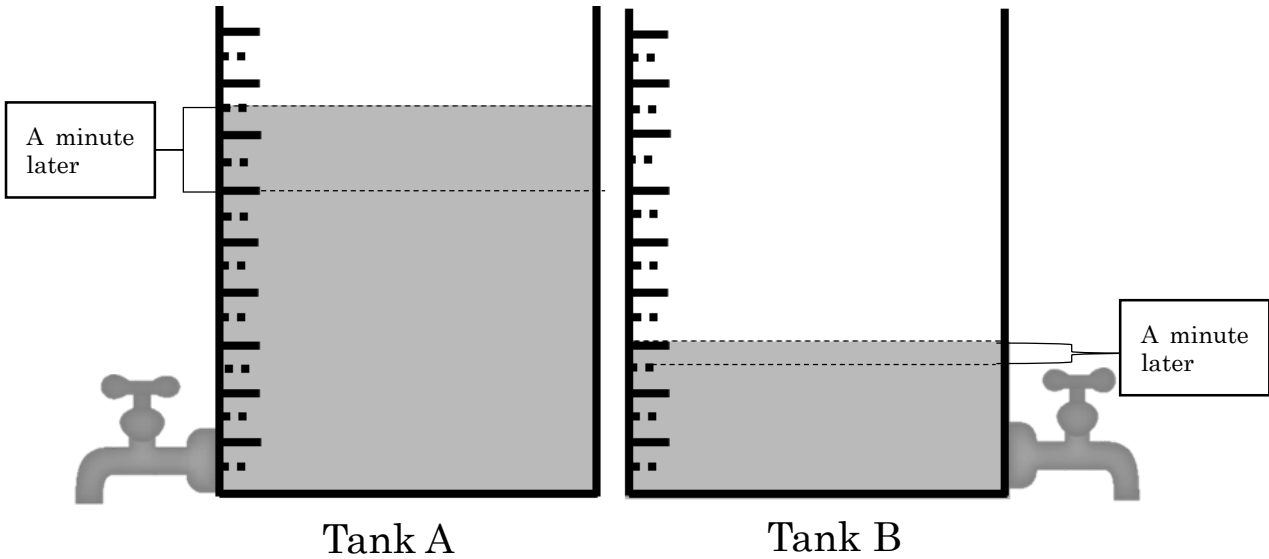


Think which is more crowded. And fill in with correct numbers or words.

The tank A has ① units of scale of water and the tank B has ② units of scale of water. ③ units of scale of water decrease from the tank A, and ④ units of scale of water decrease from the tank B. Thus, ⑤ will be empty sooner.

Name _____

Practice Think which will be empty sooner. And fill in with correct numbers or words.



Think which is more crowded. And fill in with correct numbers or words.

The tank A has ① units of scale of water and the tank B has ② units of scale of water. ③ units of scale of water decrease from the tank A, and ④ units of scale of water decrease from the tank B. Thus, ⑤ will be empty sooner.

Name _____

Practice Calculate the length of the following sector.

①

What is the length of the following sector whose radius is 4 centimeters and central angle is 60 degree. Calculate to two places of decimal. However, regard pi as 3.14.

Answer. _____

②

What is the length of the following sector whose radius is 5 centimeters and central angle is 80 degree. Calculate to two places of decimal. However, regard pi as 3.14.

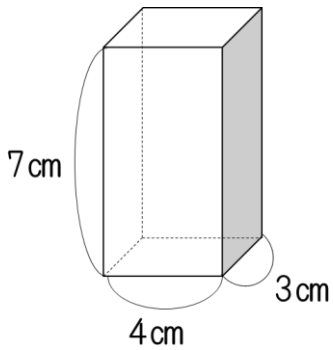
Answer. _____

小学6年生【角柱と円柱の体積】 角柱の体積

Name _____

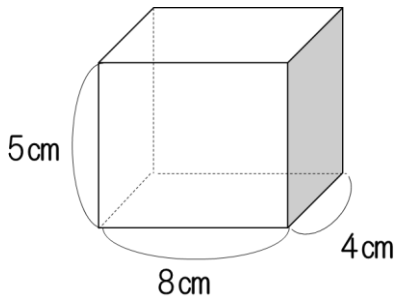
Practice Calculate the volume of the following quadrangular prisms.

①



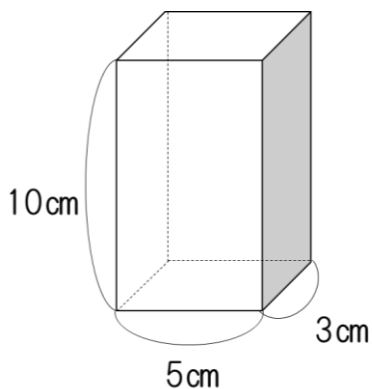
Answer. _____

②



Answer. _____

③

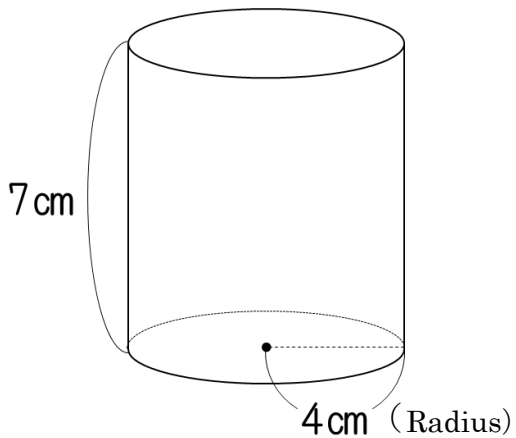


Answer. _____

Name _____

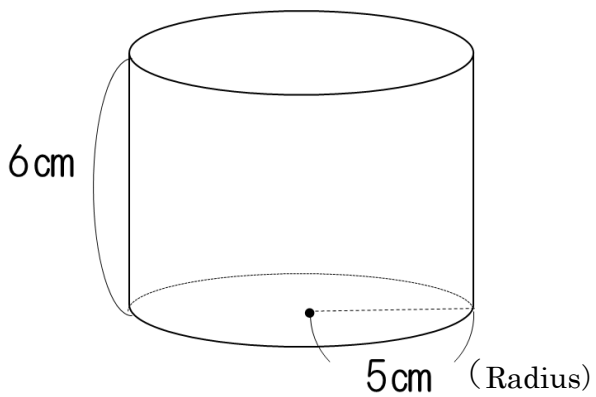
Practice Calculate the volume of the following round columns.
However, regard pi as 3.14.

①



Answer. _____

②



Answer. _____

Name _____

Practice Calculate the distance.

①

The ratio of the distance from the point A to the school to the distance from the point B to the school is 7:3. What is the distance from the point B to the school when the distance from the point A to the school is 14 kilometers?

Answer. _____

②

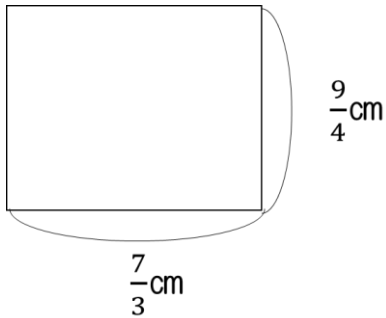
The ratio of the distance from the point A to the school to the distance from the point B to the school is 5:3. What is the distance from the point A to the school when the distance from the point B to the school is 15 kilometers?

Answer. _____

Name _____

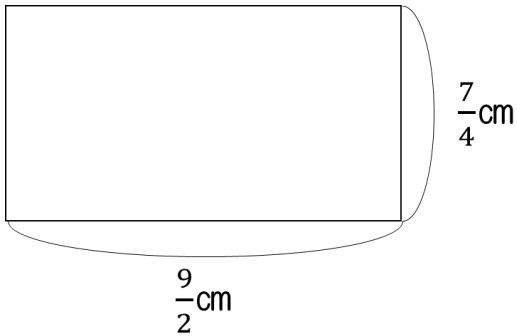
Practice Calculate the area of the following ①・②・③.

①



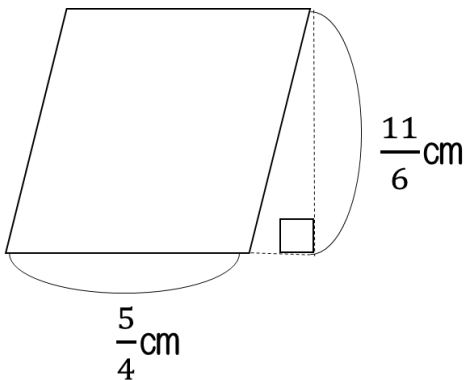
Answer. _____

②



Answer. _____

③

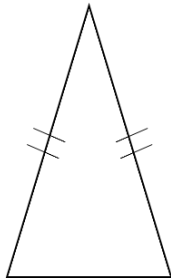


Answer. _____

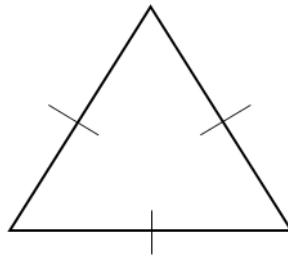
Name _____

Practice Check if the three triangles below are line symmetry or point symmetry. And tabulate them.

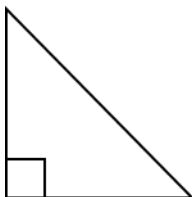
(1) Isosceles triangle



(2) Equilateral triangle



(3) Right-angled triangle

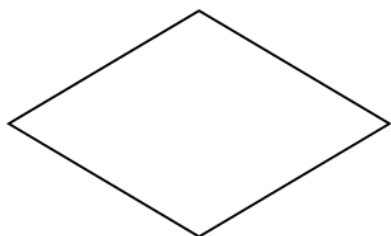


	Line symmetry	The number of the axis of the symmetry	Point symmetry
Isosceles triangle			
Equilateral triangle			
Right-angled triangle			

Name _____

Practice Check if the four squares below are line symmetry or point symmetry. And tabulate them.

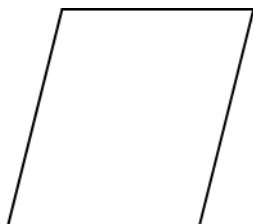
(1) Lozenge



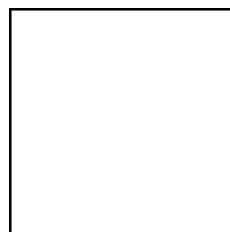
(2) Rectangle



(3) Parallelogram



(4) Regular square

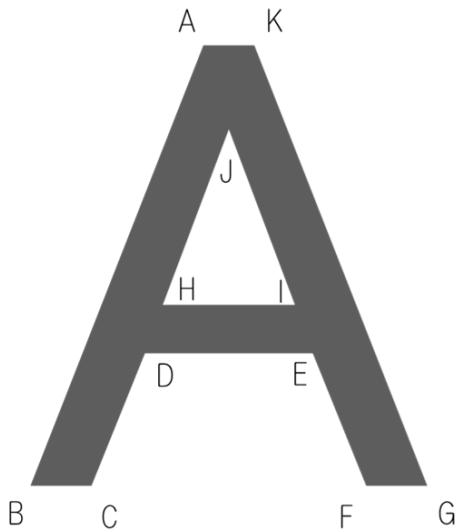


	Line symmetry	The number of the axis of the symmetry	Point symmetry
Lozenge			
Rectangle			
Parallelogram			
Regular square			

Name _____

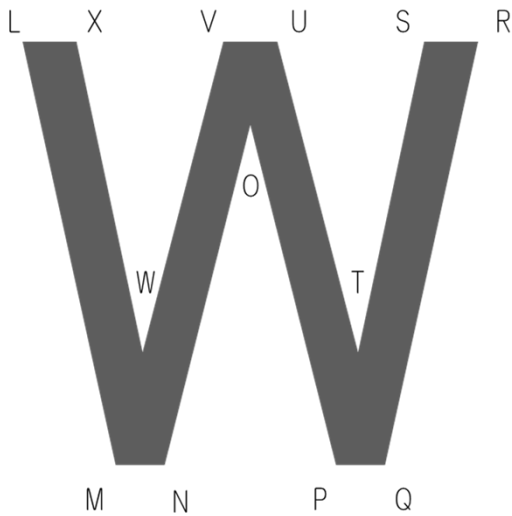
Practice Answer the symmetrical points to the point B and the point M.

Answer the symmetrical lines to the line DC and the line XW.



① The symmetrical
point to the point B.

② The symmetrical
side to CD.



③ The symmetrical
point to the point M.

④ The symmetrical
side to XW.

解 答

P.1 小学1年生【定義】時間と時刻

- ① Time point ② Time interval ③ Time interval ④ Time point

P.2 小学1年生 時計はどれでしょう

- ① ア ② ア

P.3 小学2年生【加法】1桁+1桁繰り上がりなし

- ① 7 ② 9 ③ 8 ④ 5 ⑤ 6 ⑥ 2 ⑦ 3 ⑧ 8

P.4 小学2年生【加法】1桁+1桁繰り上がり1回

- ① 14 ② 16 ③ 11 ④ 12 ⑤ 10 ⑥ 14 ⑦ 13 ⑧ 11

P.5 小学2年生【加法】2桁+1桁繰り上がりなし

- ① 28 ② 39 ③ 86 ④ 19 ⑤ 44 ⑥ 26 ⑦ 67 ⑧ 52

P.6 小学2年生【加法】2桁+1桁繰り上がり1回

- ① 63 ② 43 ③ 81 ④ 32 ⑤ 40 ⑥ 31 ⑦ 74 ⑧ 22

P.7 小学2年生【加法】2桁+1桁繰り上がり2回

- ① 106 ② 108 ③ 105 ④ 104 ⑤ 101 ⑥ 102 ⑦ 100
⑧ 101

P.8 小学2年生【加法】3桁+2桁繰り上がりなし

- ① 459 ② 698 ③ 299 ④ 379 ⑤ 795 ⑥ 576 ⑦ 838
⑧ 169

P.9 小学2年生【加法】3桁+2桁繰り上がり1回

- ① 181 ② 552 ③ 891 ④ 490 ⑤ 661 ⑥ 591 ⑦ 171
⑧ 992

P.10 小学2年生【加法】3桁+2桁繰り上がり2回

- ① 306 ② 325 ③ 724 ④ 500 ⑤ 611 ⑥ 731 ⑦ 901
⑧ 222

P.11 小学2年生【加法】3桁+3桁繰り上がりなし

- ① 664 ② 635 ③ 539 ④ 264 ⑤ 869 ⑥ 365 ⑦ 938
⑧ 768

P.12 小学2年生【加法】3桁+3桁繰り上がり1回

- ① 581 ② 993 ③ 541 ④ 992 ⑤ 690 ⑥ 531 ⑦ 344
⑧ 771

P.13 小学2年生【減法】1桁-1桁繰り下がりなし

- ① 3 ② 3 ③ 5 ④ 2 ⑤ 4 ⑥ 1 ⑦ 2 ⑧ 6

P.14 小学2年生【減法】2桁-1桁繰り下がりなし

- ① 32 ② 64 ③ 92 ④ 52 ⑤ 44 ⑥ 31 ⑦ 22 ⑧ 80

P.15 小学2年生【減法】2桁-1桁繰り下がり1回

- ① 65 ② 16 ③ 86 ④ 36 ⑤ 48 ⑥ 19 ⑦ 29 ⑧ 78

P.16 小学2年生【減法】3桁-2桁繰り下がりなし

- ① 622 ② 201 ③ 510 ④ 411 ⑤ 706 ⑥ 232 ⑦ 313
⑧ 814

P.17 小学2年生【減法】3桁-2桁繰り下がり1回①

- ① 409 ② 907 ③ 317 ④ 449 ⑤ 509 ⑥ 215 ⑦ 709
⑧ 879

P.18 小学2年生【減法】3桁-2桁繰り下がり1回②

- ① 763 ② 262 ③ 562 ④ 692 ⑤ 142 ⑥ 390 ⑦ 491
⑧ 71

P.19 小学2年生【減法】3桁-2桁繰り下がり2回

- ① 627 ② 476 ③ 131 ④ 579 ⑤ 377 ⑥ 289 ⑦ 689
⑧ 85

P.20 小学2年生【乗法】1桁×1桁繰り上がりなし

- ① 6 ② 8 ③ 4 ④ 3 ⑤ 7 ⑥ 9 ⑦ 5 ⑧ 6

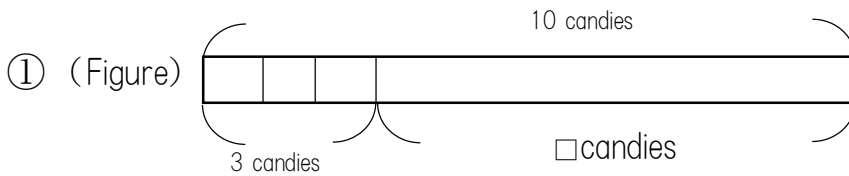
P.21 小学2年生【乗法】1桁×1桁繰り上がりあり

- ① 42 ② 36 ③ 56 ④ 30 ⑤ 32 ⑥ 21 ⑦ 40 ⑧ 49

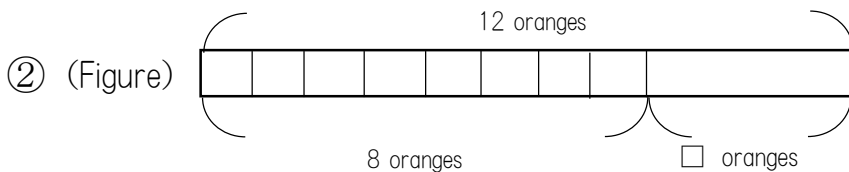
P.22 小学2年生 三角形と四角形の見分けよう

- ① イ・エ・ケ・コ ② ア・ウ・オ・カ・キ・ク・サ・シ

P.23 小学2年生 たすのかなひくのかな



(Identity) $10 - 3 = 7$ Answer (7 **candies**)



(Identity) $12 - 8 = 4$ Answer (4 **oranges**)

P.24 小学3年生【加法】小数1位+整数

- ① 5.6 ② 6.3 ③ 8.7 ④ 9.4 ⑤ 9.3 ⑥ 8.6 ⑦ 6.9
⑧ 7.5

P.25 小学3年生【加法】整数+小数1位

- ① 9.5 ② 5.6 ③ 8.8 ④ 9.1 ⑤ 7.1 ⑥ 7.2 ⑦ 4.7
⑧ 8.4

P.26 小学3年生【加法】小数+小数1位繰り上がり1回

- ① 6.3 ② 6.5 ③ 9.0 ④ 9.4 ⑤ 4.1 ⑥ 9.2 ⑦ 5.2
⑧ 9.1

P.27 小学3年生【減法】整数-小数1位

- ① 14.2 ② 41.4 ③ 11.2 ④ 30.9 ⑤ 50.3 ⑥ 61.8
⑦ 82.5 ⑧ 73.6

P.28 小学3年生【減法】小数1位-整数

- ① 23.4 ② 69.6 ③ 18.3 ④ 34.4 ⑤ 49.6 ⑥ 39.6
⑦ 66.5 ⑧ 29.3

P.29 小学3年生【減法】小数1位-小数1位

- ① 12.9 ② 25.9 ③ 48.8 ④ 74.4 ⑤ 57.9 ⑥ 37.6
⑦ 67.6 ⑧ 87.9

P.30 小学3年生【減法】小数2位-小数1位

- ① 21.14 ② 33.44 ③ 53.37 ④ 73.16 ⑤ 61.25 ⑥ 40.15
⑦ 91.44 ⑧ 61.32

P.31 小学3年生【減法】小数1位-小数2位

- ① 13.05 ② 49.12 ③ 79.08 ④ 36.43 ⑤ 29.28 ⑥ 69.12

⑦ 19.28 ⑧ 59.56

P.32 小学3年生【乗法】2桁×1桁繰り上がりなし

① 62 ② 88 ③ 39 ④ 84 ⑤ 52 ⑥ 69 ⑦ 44 ⑧ 62

P.33 小学3年生【乗法】2桁×1桁繰り上がりあり

① 252 ② 435 ③ 234 ④ 336 ⑤ 504 ⑥ 312 ⑦ 738

⑧ 195

P.34 小学3年生【乗法】2桁×2桁繰り上がりあり

① 864 ② 1728 ③ 6468 ④ 777 ⑤ 1242 ⑥ 2808

⑦ 1425 ⑧ 4032

P.35 小学3年生【そろばん】【加法】1桁+1桁繰り上がりなし

① 4 ② 3 ③ 8 ④ 7 ⑤ 5 ⑥ 6 ⑦ 5 ⑧ 9

P.36 小学3年生【そろばん】【加法】1桁+1桁繰り上がりあり

① 14 ② 12 ③ 11 ④ 12 ⑤ 13 ⑥ 14 ⑦ 11 ⑧ 17

P.37 小学3年生【そろばん】【加法】2桁+1桁

① 49 ② 28 ③ 43 ④ 40 ⑤ 28 ⑥ 32 ⑦ 37 ⑧ 31

P.38 小学3年生【そろばん】【加法】2桁+2桁

① 45 ② 57 ③ 50 ④ 90 ⑤ 91 ⑥ 43 ⑦ 60 ⑧ 80

P.39 小学3年生【そろばん】【減法】1位-1位①

- ① 4 ② 5 ③ 4 ④ 3 ⑤ 4 ⑥ 6 ⑦ 2 ⑧ 1

P.40 小学3年生【そろばん】【減法】1位-1位②

- ① 4 ② 4 ③ 3 ④ 3 ⑤ 4 ⑥ 3 ⑦ 2 ⑧ 6

P.41 小学3年生【そろばん】【減法】2桁-1桁繰り下がりあり

- ① 29 ② 47 ③ 88 ④ 48 ⑤ 37 ⑥ 29 ⑦ 16 ⑧ 76

P.42 小学3年生【そろばん】【減法】2桁-2桁

- ① 16 ② 41 ③ 11 ④ 2 ⑤ 12 ⑥ 6 ⑦ 33 ⑧ 52

P.43 小学3年生【円】円の直径と半径

① 直径6cm 半径12cm ② 直径8cm 半径4cm

③ 直径5cm 半径2.5cm ④ 直径6cm 半径3cm

P.44 小学4年生【加法】小数2位+小数1位

① 7.25 ② 6.26 ③ 5.34 ④ 4.24 ⑤ 9.05 ⑥ 9.35

⑦ 7.64 ⑧ 8.97

P.45 小学4年生【加法】小数2位+小数2位繰り上がり1回

① 6.91 ② 5.51 ③ 6.93 ④ 3.47 ⑤ 8.83 ⑥ 3.61

⑦ 9.91 ⑧ 8.82

P.46 小学4年生【減法】小数2位－小数2位

- ① 13.11 ② 49.21 ③ 12.91 ④ 17.87 ⑤ 3.97 ⑥ 58.83
⑦ 68.4 ⑧ 10.26

P.47 小学4年生【乗法】小数1位×整数

- ① 136.8 ② 97.2 ③ 348.6 ④ 54.6 ⑤ 153.6 ⑥ 229.6
⑦ 165.6 ⑧ 190.4

P.48 小学4年生【乗法】整数×小数1位

- ① 110.4 ② 375.2 ③ 660.3 ④ 548.1 ⑤ 422.4 ⑥ 448.9
⑦ 769.5 ⑧ 212.8

P.49 小学4年生【除法】1桁÷1桁あまりなし

- ① 4 ② 3 ③ 1 ④ 3 ⑤ 2 ⑥ 1 ⑦ 2 ⑧ 3

P.50 小学4年生【除法】1桁÷1桁あまりあり

- ① 1 with a remainder of 2 ② 2 with a remainder of 1 ③
1 with a remainder of 3 ④ 1 with a remainder of 1 ⑤ 1
with a remainder of 2 ⑥ 1 with a remainder of 2 ⑦ 1 with
a remainder of 3 ⑧ 2 with a remainder of 2

P.51 小学4年生【除法】2桁÷1桁あまりなし

- ① 32 ② 25 ③ 11 ④ 8 ⑤ 17 ⑥ 10 ⑦ 22 ⑧ 12

P.52 小学4年生【除法】2桁÷1桁あまりあり

- ① 14 with a remainder of 2 ② 10 with a remainder of 6 ③
14 with a remainder of 1 ④ 23 with a remainder of 1 ⑤ 16
with a remainder of 2 ⑥ 17 with a remainder of 1 ⑦ 12 with
a remainder of 5 ⑧ 15 with a remainder of 5

P.53 小学4年生【除法】2桁÷2桁あまりなし

- ① 4 ② 3 ③ 4 ④ 7 ⑤ 4 ⑥ 5 ⑦ 6 ⑧ 5

P.54 小学4年生【除法】2桁÷2桁あまりあり

- ① 4 with a remainder of 1 ② 2 with a remainder of 22 ③
3 with a remainder of 8 ④ 2 with a remainder of 4 ⑤ 3 with
a remainder of 2 ⑥ 4 with a remainder of 10 ⑦ 1 with a
remainder of 23 ⑧ 5 with a remainder of 13

P.55 小学4年生【除法】3桁÷1桁あまりなし

- ① 153 ② 214 ③ 203 ④ 152 ⑤ 114 ⑥ 58 ⑦ 107
⑧ 93

P.56 小学4年生【除法】3桁÷1桁あまりあり

- ① 317 with a remainder of 1 ② 211 with a remainder of 2
③ 137 with a remainder of 3 ④ 53 with a remainder of 3 ⑤
81 with a remainder of 1 ⑥ 153 with a remainder of 3 ⑦
18 with a remainder of 2 ⑧ 251 with a remainder of 1

P.57 小学4年生【除法】3桁÷2桁あまりなし

- ① 25 ② 51 ③ 45 ④ 11 ⑤ 27 ⑥ 32 ⑦ 25 ⑧ 15

P.58 小学4年生【除法】3桁÷2桁あまりあり

- ① 44 with a remainder of 3 ② 31 with a remainder of 7 ③
28 with a remainder of 9 ④ 28 with a remainder of 8 ⑤ 25
with a remainder of 4 ⑥ 18 with a remainder of 22 ⑦ 24 with
a remainder of 10 ⑧ 5 with a remainder of 4

P.59 小学4年生【立方体と直方体】展開図と展開方法①

ウ・エ・オ

P.60 小学4年生【立方体と直方体】展開図と展開方法②

ア・イ・エ

P.61 小学4年生【面積】練習問題

- ① 12cm^2 ② 17cm^2 ③ 8cm^2 ④ 9cm^2 ⑤ 10cm^2

P.62 小学4年生【面積】面積の求め方の工夫①②

- ① 36cm^2 ② 45cm^2

P.63 小学4年生【概数】四捨五入

- ① 70 ② 50 ③ 80 ④ 70 ⑤ 230 ⑥ 760 ⑦ 460 ⑧ 250

P.64 小学5年生【乗法】小数1位×小数1位

- ① 9.25 ② 9.54 ③ 40.32 ④ 4.25 ⑤ 10.64 ⑥ 3.4
⑦ 26.65 ⑧ 13.68

P.65 小学5年生【乗法】小数1位×小数2位

- ① 8.132 ② 10.875 ③ 6.695 ④ 4.988 ⑤ 41.42 ⑥ 8.175
⑦ 8.979 ⑧ 4.284

P.66 小学5年生【乗法】小数2位×小数1位

- ① 8.132 ② 9.805 ③ 9.581 ④ 9.666 ⑤ 6.104 ⑥ 3.58
⑦ 6.624 ⑧ 3.828

P.67 小学5年生【乗法】小数2位×小数2位

- ① 8.5094 ② 2.4393 ③ 0.3948 ④ 2.6796 ⑤ 7.0785
⑥ 1.659 ⑦ 8.7668 ⑧ 7.2988

P.68 小学5年生【面積】三角形の面積の求め方

- ① 21cm^2 ② 56cm^2 ③ 45cm^2

P.69 小学5年生【面積】平行四辺形の面積の求め方

- ① 63cm^2 ② 120cm^2 ③ 60cm^2

P.70 小学5年生【約数】約数の求め方

- ① $1 \cdot 2 \cdot 3 \cdot 4 \cdot 6 \cdot 12$ ② $1 \cdot 2 \cdot 4 \cdot 7 \cdot 14 \cdot 28 \cdot 56$ ③ $1 \cdot 3 \cdot 5 \cdot 15$

- ④ $1 \cdot 2 \cdot 3 \cdot 6 \cdot 7 \cdot 14 \cdot 21 \cdot 42$

P.71 小学5年生 公倍数の求め方

- ① $6 \cdot 12 \cdot 18$ ② $20 \cdot 40 \cdot 60$ ③ $28 \cdot 56 \cdot 84$ ④ $10 \cdot 20 \cdot 30$

P.72 小学5年生 倍数と公倍数と最小公倍数

- ① common multiples $12 \cdot 24 \cdot 36$ the smallest common multiples
12 ② common multiples $14 \cdot 28 \cdot 42$ the smallest common
multiples 14 ③ common multiples $15 \cdot 30 \cdot 45$ the smallest
common multiples 15 ④ common multiples $18 \cdot 36 \cdot 54$ the
smallest common multiples 18

P.73 小学5年生 平均の求め方

- ① 4 ② 6 ③ 8 ④ 6.5

P.74 小学5年生【密度】こみぐあい整数と整数

① 18 ② 16 ③ 3 ④ 4 ⑤ Court B

P.75 小学5年生【密度】こみぐあい整数と小数

① 18 ② 14 ③ 3 ④ 3.5 ⑤ Court A

P.76 小学5年生【密度】こみぐあい小数と小数

① 21 ② 18 ③ 3.5 ④ 4.5 ⑤ Court B

P.77 小学5年生【速さ】水道タンクその①

① 5 ② 8 ③ 1 ④ 2 ⑤ Tank B

P.78 小学5年生【速さ】水道タンクその②

① 5 ② 6 ③ 1 ④ 1.5 ⑤ Tank B

P.79 小学5年生【速さ】水道タンクその③

① 7.5 ② 3 ③ 1.5 ④ 0.5 ⑤ Tank A

P.80 小学5年生 おうぎ形の弧の長さ

① 4.19cm ② 6.98cm

P.81 小学6年生【角柱と円柱の体積】角柱の体積

① 84cm^3 ② 160cm^3 ③ 150cm^3

P.82 小学6年生【角柱と円柱の体積】円柱の体積

① 351.68cm^3 ② 471cm^3

P.83 小学6年生【比】比の求め方

- ① 6km ② 13km

P.84 小学6年生【分数】分数どうしのかけ算

- ① $\frac{21}{4}\text{cm}^2$ ② $\frac{63}{8}\text{cm}^2$ ③ $\frac{55}{24}\text{cm}^2$

P.85 小学6年生【三角形】対称な図形

	Line symmetry	The number of the axis of the symmetry	Point symmetry
Isosceles triangle	○	1	×
Equilateral triangle	○	1	×
Right-angled triangle	×	×	×

P.86 小学6年生【四角形】対称な図形

	Line symmetry	The number of the axis of the symmetry	Point symmetry
Lozenge	○	2	○
Rectangle	○	2	○
Parallelogram	×	0	○
Regular square	○	4	○

P.87 小学6年生 線対称

- ① Point G ② Line EF ③ Point Q ④ Line ST

2017年10月31日現在

京都教育大学 外国の子どもの教育を考える会